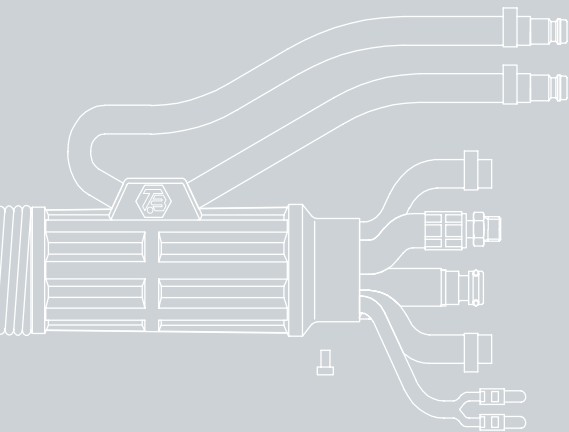




RoboMIG TBi WH cable assemblies



Features

- Separate gas lines for protective gas and blow-out gas (air)
- Automatic shut-off valves in the WH flange: no water leaks when changing the neck (water cooled version only)

Air and water cooled

Various options available

Flexible and heat resistant outer tube

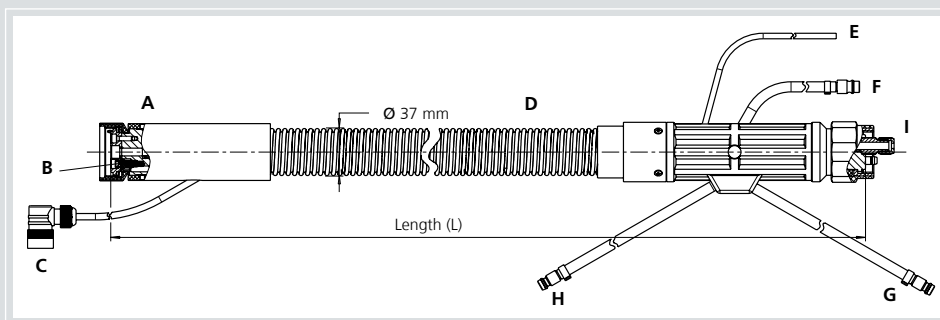
Technical data

TBi WH cable assemblies

Connection torch side	TBi WH flange, compatible with TBi RoboMIG torch necks, the quick-change adapter and PowerPull wire feeders
Connection machine side	Euro-Central connector Other connectors (e.g. CLOOS®, ESAB®, Lincoln®) available upon request.
Rating	- air cooled 500 A / 60 % duty cycle - water cooled 600 A / 100 % duty cycle
Protective gas connection	Euro-Central connector
Blow-out gas connection	quick connector
Blow-out gas pressure	max.10 bar
Weight (1.20 m length)	- air cooled approx. 2.50 kg - water cooled approx. 1.90 kg
Technical specification	according to IEC 60974-7

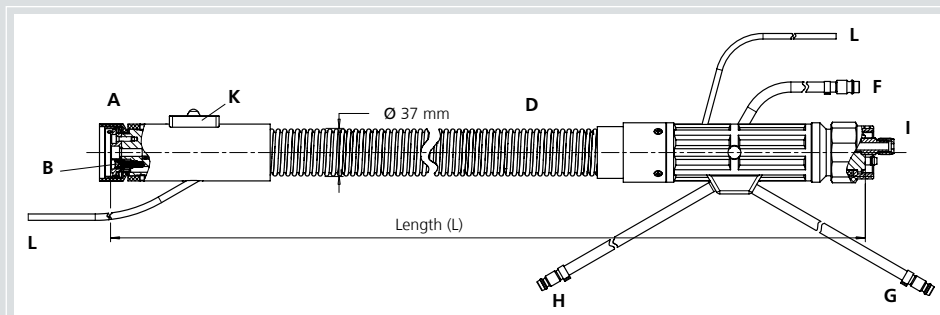


Cable assembly without push button
prepared for use with the TBi safety-off mechanism



- A TBi WH flange, compatible with TBi RoboMIG torch necks, the quick-change adapter and PowerPull wire feeders
- B Automatic shut-off valves (water cooled version only)
- C 4-pole plug for TBi safety-off mechanism
- D Flexible protective cover
- E Control cable, 5 poles (green/yellow: safety-off; brown/white: push-button; grey: not connected)
- F blow-out gas
- G/H water in- / return
- I Euro-Central connector ESG/ESW

Cable assembly with push button
for special applications



Version with push-button only

- K Push-button for wire run in, connected to control cable pins on central connector (ESG / ESW)
- L Control cable, 5 poles, not connected



Options

- Integrated push-button for wire run in on WH flange
- Check valves for both gas lines. Reduces gas mixup if cannot be used protective gas preflow. Diameter of cable assembly will increase to 47 mm
- Installation of additional control cables in the cable assembly, e.g. when using the TBi PowerPull system
- Installation of other plugs according to your specification

Ordering information for cable assemblies
other lengths and specifications are produced on request

Version	Cooling method	Length (L)				
		1.20 m	1.50 m	2.00 m	2.50 m	3.00 m
Standard: Push-button on TBi safety-off	air cooled	661P3R0C12	661P3R0C15	661P3R0C20	661P3R0C25	661P3R0C30
	water cooled	671P4R0C12	671P4R0C15	671P4R0C20	671P4R0C25	671P4R0C30
Option: Push-button on cable assembly	air cooled	661P3R2C12	661P3R2C15	661P3R2C20	661P3R2C25	661P3R2C30
	water cooled	671P4R2C12	671P4R2C15	671P4R2C20	671P4R2C25	671P4R2C30